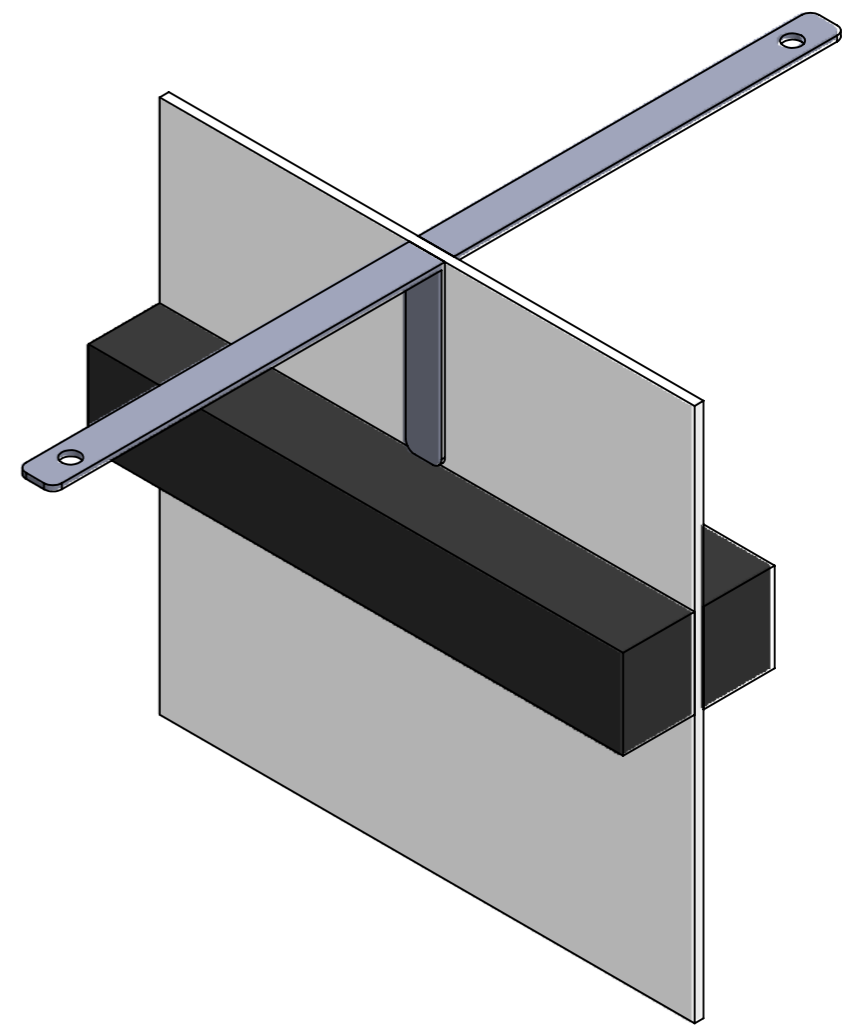
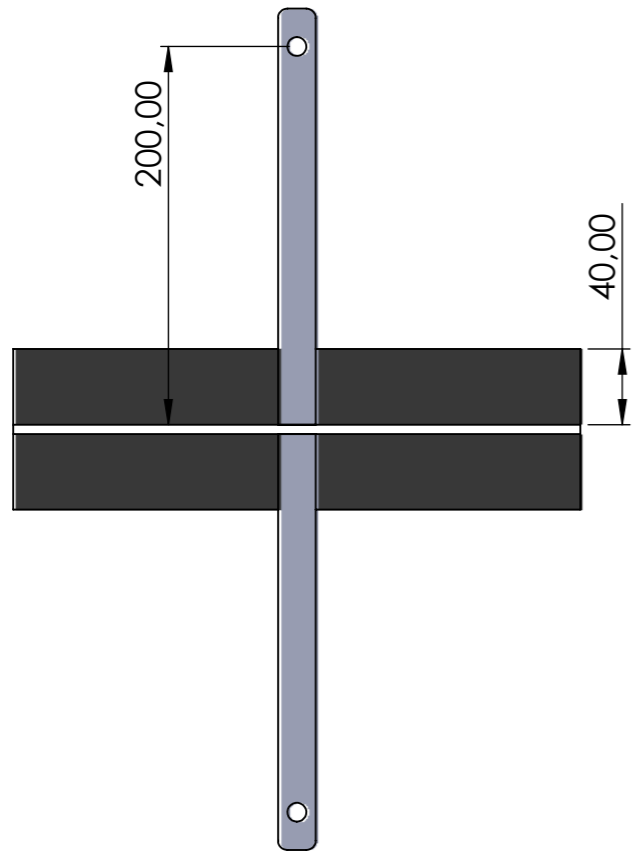



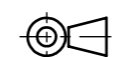
SECTION A-A
SCALE 1 : 4



SCALE 1:3



VIEW
SCALE 1 : 4

Material: Clear plastic + foam + metal		This drawing and any information or descriptive material set out on it are the confidential and copyright property of ICF © and MUST NOT BE DISCLOSED, COPIED, LOANED in whole or part or used for any purpose without the written permission of ICF		Description: Gate regulation tool	
Tolerance -ISO 2768-VL All Dimensions: mm		Document Type: Technical drawing		Drawn by: Bourhis	Drawn Date: 13/11/2020
Drawing Scale: 1:4		International Canoe Federation		Checked/Approved by: Nivel and Prono	Checked/Approved Date:
Approx Weight: 2.039Kg	Drawing Produced In Accordance With: ISO128				
Projection Method: THIRD ANGLE	Sheet Size: A3				
				Revision: N/A	